

Vibromak[®]

Surface finishing
technologies.



ROTARY VIBRATORY MACHINES VKUE SERIES

Vibromak round vibratory finishing bowls VKUE type machines can be easily integrated in to automated processing cells or work as standalone machines. VKUE round vibratory finishing bowls could be coupled with automation for loading, unloading, rinsing, drying and other pre and post-finish processes.



FOR MORE INFO
PLEASE CONTACT
branko@massfin.ca
1(519)739-0733

Test Lab Address: 4325 County Rd. 42, Windsor, Ontario, N9A 6J3

WWW.MASSFIN.CA

www.massfin.ca

VKUE Type

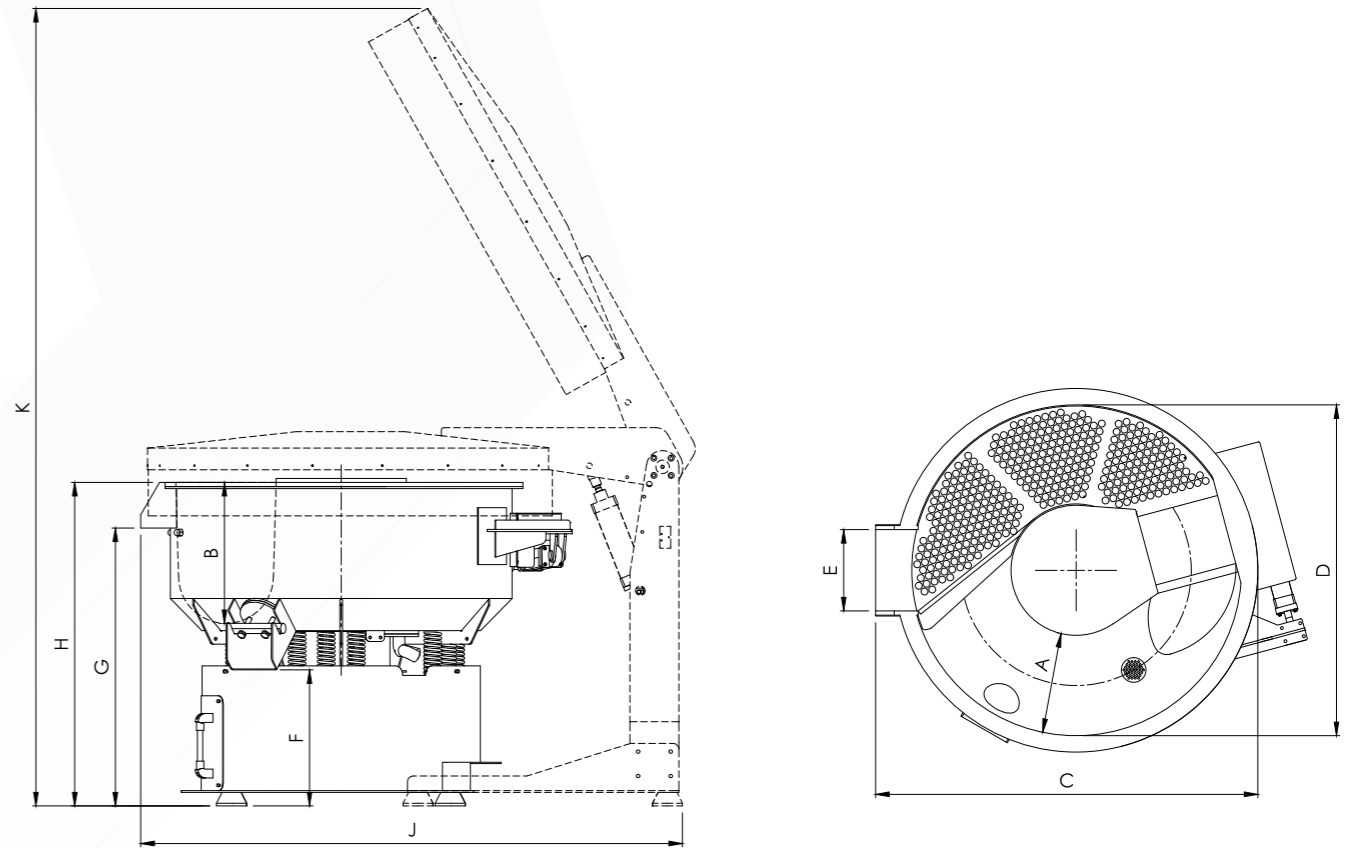
Round Vibratory Surface Finishing Machines with Separator



Additional Accesories:

- Pneumatic Sound Cover
- Pneumatic Flap Control
- Frequency Control
- Dossage Pump
- Magnetic Valve
- Control Panel Base
- Rinsing Pipe (Different Types)

VKUE round vibratory finishing machines are very versatile machines, with a wide application tasks and processes. From the aggressive deburring and radiusing (edge breaking) to deburring of the machined aluminum part surfaces. From the smoothing and polishing of the aerospace blades/foils to the high gloss polishing of delicate parts. Large separation deck aria of the VKUE machines made separation of the media quite easy task.



Technical Dimensions

TYPE		VKUE 75	VKUE 150	VKUE 300	VKUE 400	VKUE 500	VKUE 750	VKUE 1200	VKUE 1600
Gross Volume	Lt	80	175	330	460	535	865	1210	1610
Screen Area	m ²	0,14	0,21	0,32	0,39	0,48	0,73	0,98	1,10
PU Thickness	mm	15-25	15-25	15-25	15-25	15-25	15-25	15-25	15-25
Engine Power	Kw	0,7	1,1	1,9	1,9	2,5	5	7	11
Voltage	V/Hz	380/50	380/50	380/50	380/50	380/50	380/50	380/50	380/50
Operating Speed	rpm	1500	1500	1500	1500	1500	1500	1500	1500
Weight	Kg	170	290	500	580	720	1050	1350	2050
A	mm	230	270	320	370	390	450	550	610
B	mm	270	385	460	520	540	600	655	675
C	mm	825	1050	1310	1410	1510	1800	2000	2240
D	mm	690	880	1120	1220	1310	1560	1760	2010
E	mm	180	250	260	300	350	400	500	540
F	mm	580	470	470	470	470	500	600	600
G	mm	850	800	930	1020	1020	1090	1240	1280
H	mm	940	940	1100	1200	1200	1280	1440	1480
J	mm	1300	1510	1800	1900	2000	2320	2620	3060
K	mm	2000	2430	2700	2950	2950	3250	3700	3900



Changeable Screen



Ramp



Pneumatic Flap Control (Optional)



Manual Flap Control



Electrical Control Panel